

JVC

SCHEMATIC DIAGRAMS

PORTABLE ROM PLAYER

XA-GP3BK

CD-ROM No.SML200110

Area Suffix

E --- Continental Europe



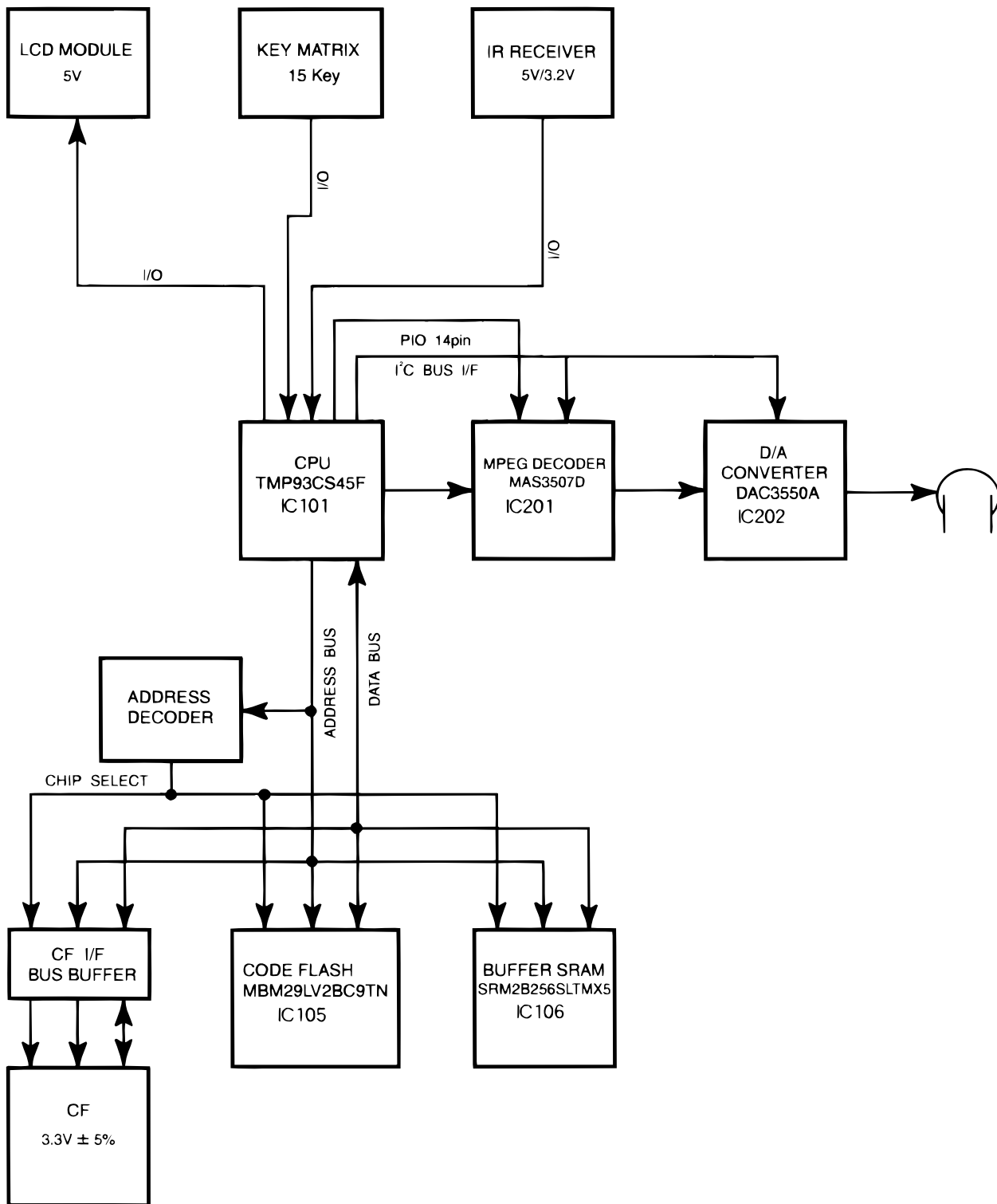
This guidance system is a combination system configuration of XA-GT1, XA-GC20, and XA-GP3.
 Please refer to service manual XA-GT1 (No.21035) which has been issued and XA-GC20BK (No.21036).
 ROM record data specification of XA-GP3 is different from XA-GP1.
 The recorded ROM card for XA-GP3 makes in the reproduction and the box is made a boil.

Contents

Block diagram	2-2
Setandard schematic diagrams.....	2-4
Printed circuit boards	2-6~8

In regard with component parts appearing on the silk-screen printed side (parts side) of the PWB diagrams, the parts that are printed over with black such as the resistor (■), diode (▣) and ICP (●) or identified by the "⚠" mark nearby are critical for safety. When replacing them, be sure to use the parts of the same type and rating as specified by the manufacturer. (Except the JC version)

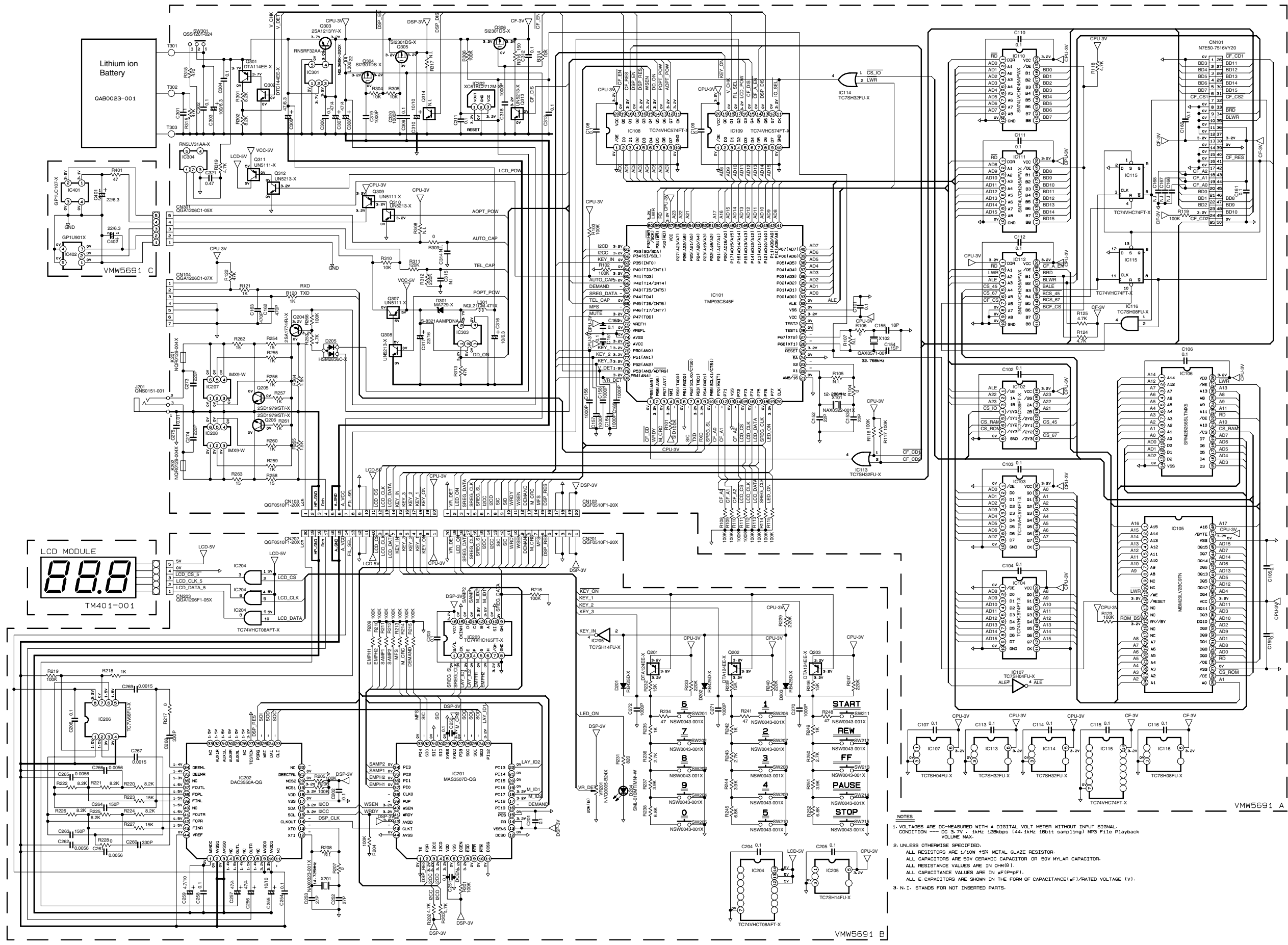
Block diagram



< MEMO >

Standard schematic diagrams

5
4
3
2
1



NOTES

1. VOLTAGES ARE DC-MEASURED WITH A DIGITAL VOLT METER WITHOUT INPUT SIGNAL. CONDITION — IC 3.7V, 1kHz 128kpps (44.1kHz 16bit sampling) MP3 File Playback VOLUME MAX.
2. UNLESS OTHERWISE SPECIFIED:
ALL RESISTORS ARE 1/10W ±5% METAL GLAZE RESISTOR.
ALL CAPACITORS ARE 50V CERAMIC CAPACITOR OR 50V NYLON CAPACITOR.
ALL RESISTANCE VALUES ARE IN OHMS (Ω).
ALL CAPACITANCE VALUES ARE IN pF (pF).
ALL E. CAPACITORS ARE SHOWN IN THE FORM OF CAPACITANCE (μF)/RATED VOLTAGE (V).
3. N. I. STANDS FOR NOT INSERTED PARTS.

A B C 2-4 D E F G H

< MEMO >

XA-GP3BK

JVC

VICTOR COMPANY OF JAPAN, LIMITED

AUDIO & COMMUNICATION BUSINESS DIVISION

PERSONAL & MOBILE NETWORK BUSINESS UNIT. 10-1,1chome,Ohwatari-machi,Maebashi-city,371-8543,Japan